

Installation Instructions: (09066)

Specification

1. Input Voltage: AC220-240V 50/60Hz
2. Wattage: 1W
3. Power factor:0.83PF, supply current:13mA
4. Lumens: 60lm.
5. Battery installed or replaced: Life PO4 3.2V 150mAh
6. Operating environmental temp: 0° to +35°C.
7. Recharge time: 24 hours.
8. Emergency duration: more than 3 hours.

Important Information

We recommend that luminaires are installed by a qualified electrician ensuring the installation complies with current IEE wiring regulations BS7671:2018 & local building control.

- All tests should be carried out in accordance to EN 50172:2004.
- BELL will not accept responsibility for any claims arising from a poor installation.
- The light source of this luminaire is not replaceable: when the light source reaches end of life, the whole luminaire must be replaced.

Important User Advice

- Ensure that there is adequate free air ventilation around the fitting.
- Always switch off mains supply before installing.

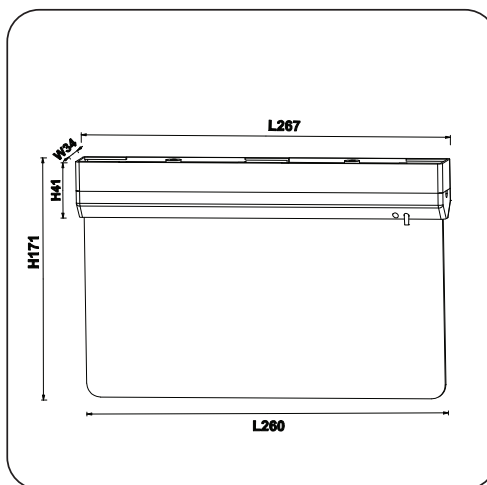
This product may contain substances that can be hazardous to the environment if not disposed of properly. Electrical and electronic equipment should never be disposed of with general household waste but must be separated for its correct treatment and recovery. Where possible recycle your packaging.



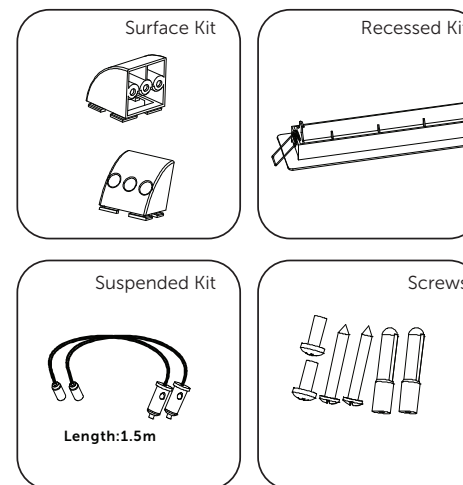
Read these instructions before installation and retain for future reference

This equipment should be installed by a competent electrician

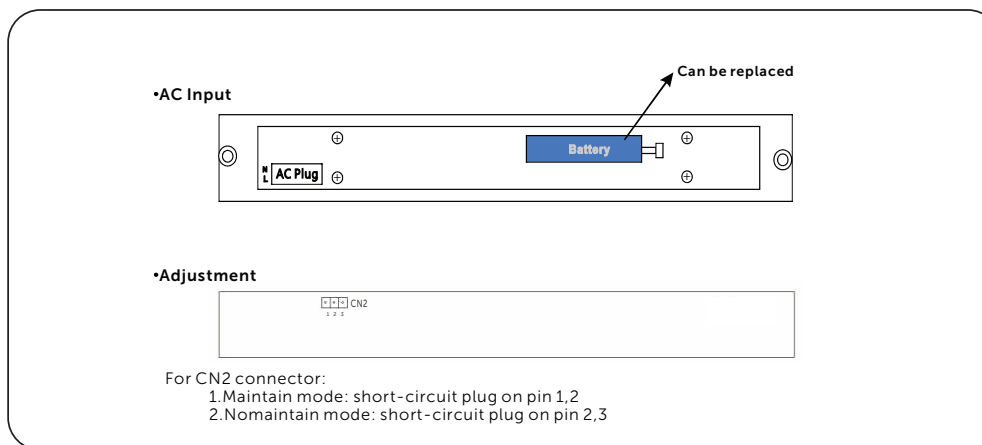
Dimensions:



Mounting accessories:



Connection:



Use of switch on PCB:

In AC input, Press for 1 second: Timing begins / Press for 3 seconds: LED on, auto test for 5 minutes

Indicator working performance

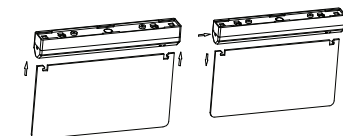
Normal fitting: green indicator working
 Battery failure: red indicator flashing. (Flash once every 3 seconds.)
 Lighting source failure: red indicator flashing. (Flash twice every 3 seconds).

Auto-Test instructions

After the emergency light is installed:
 An automatic test will conduct once monthly for emergency lighting for 10 minutes.
 The light will return will return to normal operation after 10 minutes.
 An automatic test will be conducted once a year for emergency lighting for 3 hs. The light will return to normal operation after 3 hours
 If the emergency duration is less than the specified time the red indicator on the light will flash.

Changing / fixing the legend:

Fix the legend to the transparent blade then place in to the bottom of the light guide (left)
 To change the legend use a screwdriver to loosen the transparent blade then replace legend (right).



Technical Helpline +44 (0)1924 893380

www.bellighting.co.uk

British Electric Lamps Ltd
 Unit A Foxbridge Way, Normanton Industrial Estate
 Normanton, West Yorkshire. WF6 1TN

T: +44 (0)1924 893380 F: +44 (0)1924 894320 E: sales@bellighting.co.uk

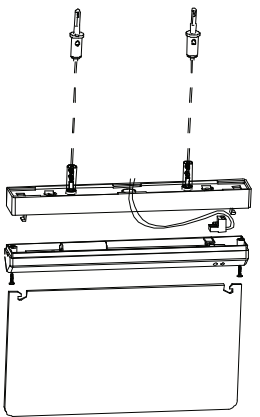
www.bellighting.co.uk

Date	Revision
1.6.2022	2

Read these instructions before installation and retain for future reference. This equipment should be installed by a competent electrician

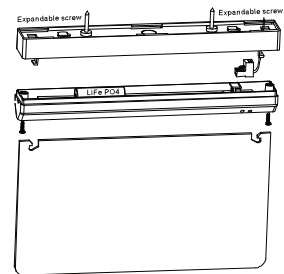


Suspended



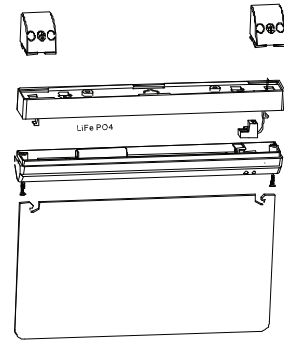
1. Take the screws from the bottom of the light guide
2. Fix the suspension kit with the base of the fitting & ceiling
3. AC wires input from the fitting base
4. Fix the base unit and the fitting with screws
5. Fix the legend/transparent blade to the fitting

Ceiling mounted



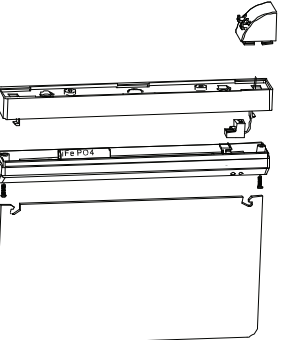
1. Take the screws from the bottom of the light guide
2. AC wires input from the fitting base
3. Fix through the fitting base on to the ceiling with screws
4. Fix the base unit and the light guide with screws
5. Fix the legend/transparent blade to the fitting

Parallel mounted



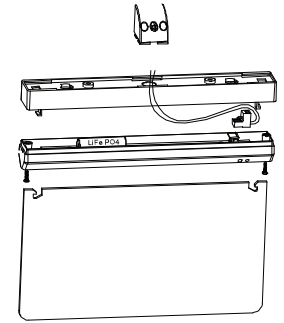
1. Take the screws from the bottom of the light guide
2. AC wires input from the fitting base or from the light guide
3. Two wall brackets slide on to the base unit
4. Fix the base unit and light guide with screws
5. Fix the wall brackets to the wall with the screw
6. Fix the legend/transparent blade to the fitting

Perpendicular mounted



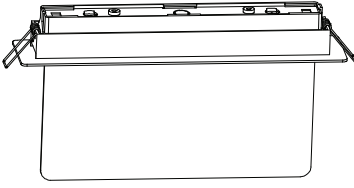
1. Take the screws from the bottom of the light guide
2. AC wires input from the fitting base or from the wall bracket
3. One wall brackets slide on to the base unit
4. Fix the base unit and light guide with screws
5. Fix the wall brackets to the wall with the screw
6. Fix the legend/transparent blade to the fitting

Wall mounted



1. Take the screws from the bottom of the light guide
2. AC wires input from the fitting base or from the wall bracket
3. One wall brackets slide on to the base unit
4. Fix the base unit and light guide with screws
5. Fix the wall brackets to the wall with the screw
6. Fix the legend/transparent blade to the fitting

Recessed mounted



1. Take the screws from the bottom of the light guide
2. AC wires input from the fitting base
3. Place the fitting in to the recessing kit
4. Fix the legend/transparent blade to the fitting
5. Install the fitting in to the opening

The required aperture for recessed mounting is:
302mm x 53mm x 43mm

Technical Helpline +44 (0)1924 893380

www.bellighting.co.uk

British Electric Lamps Ltd
Unit A Foxbridge Way, Normanton Industrial Estate
Normanton, West Yorkshire. WF6 1TN

T: +44 (0)1924 893380 F: +44 (0)1924 894320 E: sales@bellighting.co.uk

www.bellighting.co.uk

Testing & Commissioning for Emergency Luminaire

- Ensure the Load is connected.
- Connect the battery.
- Switch on the Unswitched Supply
- Check the Charge LED illuminates.
- Switch on the Maintained Supply
- Check the LED illuminates as normal.
- Switch off the Maintained Supply.
- Switch off the Unswitched Supply
- Check the Charge LED extinguishes and the load LED illuminates at a reduced output.
- Enter the commissioning date on the Battery Pack.
Switch on the Unswitched Supply

Luminaire Ref/Location		In Case of difficulty, contact the Installation Engineers:-									
		Tel: _____									
Full Recharge Time 24 Hours			Duration 3 Hours			Lamp Type - LED					
ROUTINE TEST RECORD											
	Year 1		Year 2		Year 3		Year 4		Year 5		
Monthly Test	Signed	Date	Signed	Date	Signed	Date	Signed	Date	Signed	Date	
Functional											
Functional											
Functional											
Functional											
Functional											
Functional											
Functional											
Functional											
Functional											
Functional											
Three Hour											

Technical Helpline +44 (0)1924 893380

www.bellighting.co.uk

British Electric Lamps Ltd
Unit A Foxbridge Way, Normanton Industrial Estate
Normanton, West Yorkshire. WF6 1TN

T: +44 (0)1924 893380 F: +44 (0)1924 894320 E: sales@bellighting.co.uk

www.bellighting.co.uk